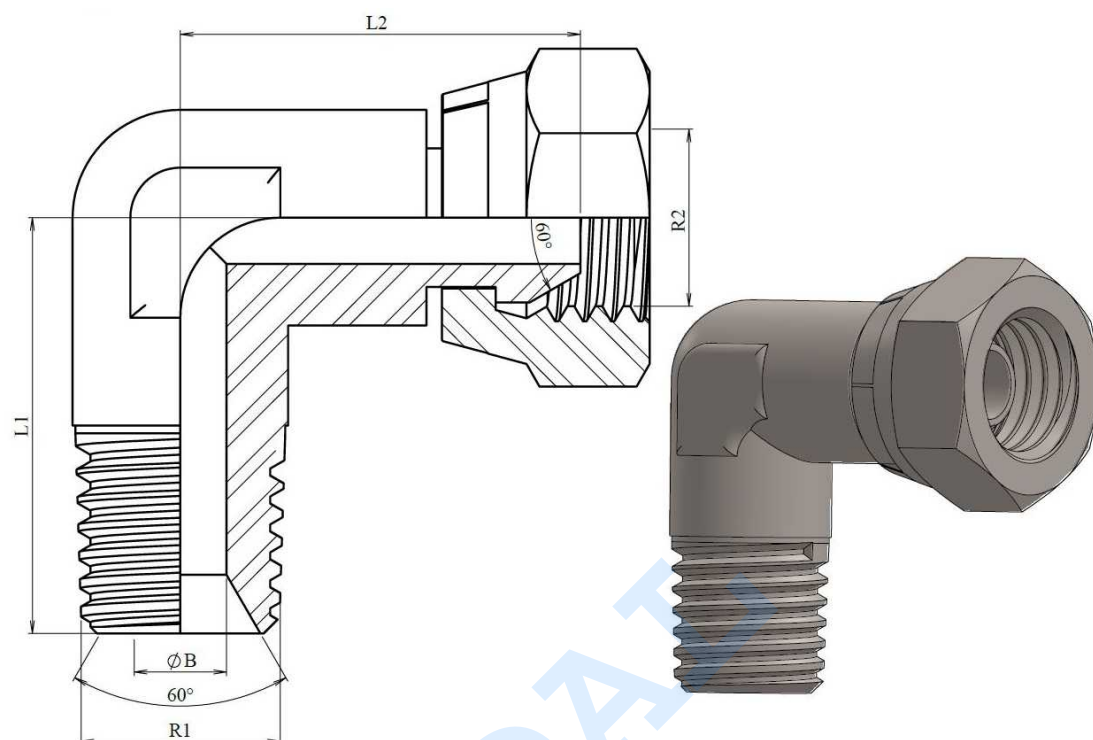


Adaptadores NPT

Codos en forja

Codo 90º macho NPT - hembra giratoria NPSM

Acero Inoxidable AISI 316-L



Artículo	R1	R2	L1	L2	HEX 1	CH1	ØB
ZN11930202	1/8" NPT	1/8" 27h NPSM	27	19	14	12	4,8
ZN11930404	1/4" NPT	1/4" - 18h NPSM	27	27	19	14	5
ZN11930406	1/4" NPT	3/8" - 18h NPSM	27	27	19	14	5
ZN11930606	3/8" NPT	3/8" - 18h NPSM	26,5	26,5	22	19	8
ZN11930608	3/8" NPT	1/2" - 14h NPSM	26,5	26,5	22	19	8
ZN11930808	1/2" NPT	1/2" - 14 NPSM	35,5	32,5	27	24	11
ZN11930812	1/2" NPT	3/4" - 14h NPSM	35,5	32,5	27	24	11
ZN11931208	3/4" NPT	1/2" - 14 NPSM	37,5	35,5	32	28	16
ZN11931212	3/4" NPT	3/4" - 14h NPSM	37,5	35,5	32	28	16
ZN11931216	3/4" NPT	1" - 11 1/2 h NPSM	37,5	35,5	32	28	16
ZN11931616	1" NPT	1" - 11 1/2 h NPSM	47	47,5	41	36	22
ZN11932020	1"1/4 NPT	1"1/4 - 11 1/2 h NPSM	53	49	50	41	28